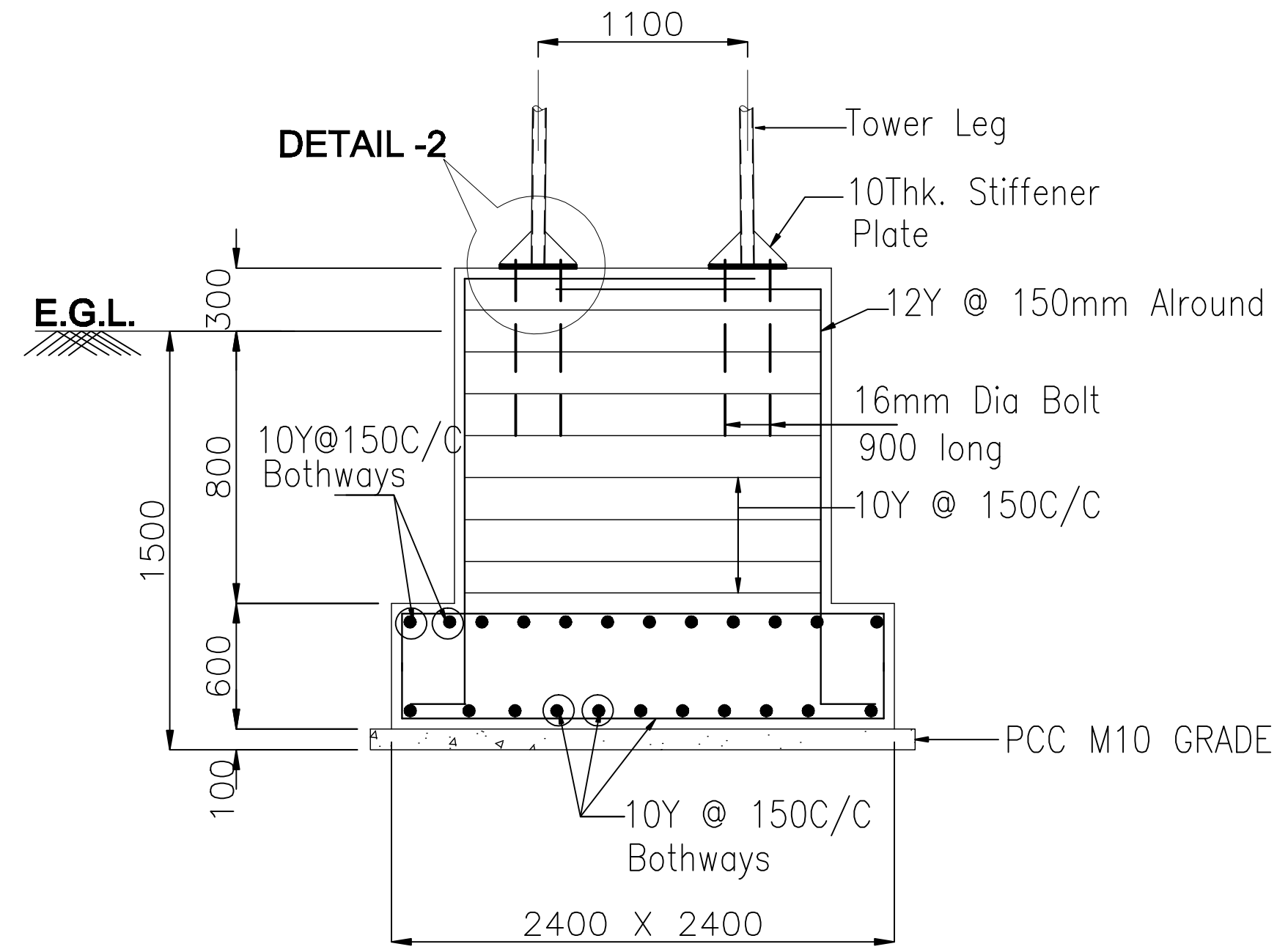
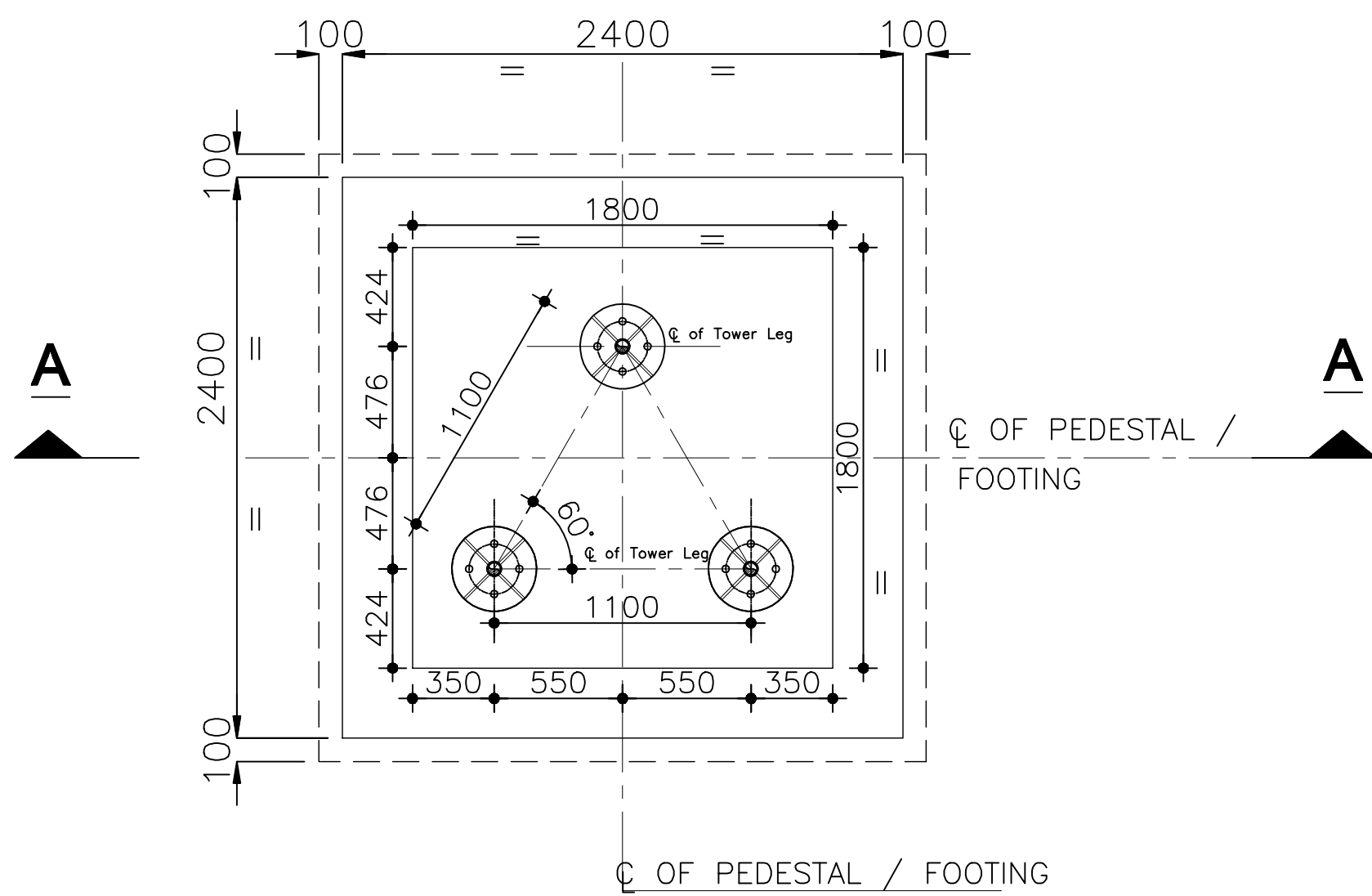


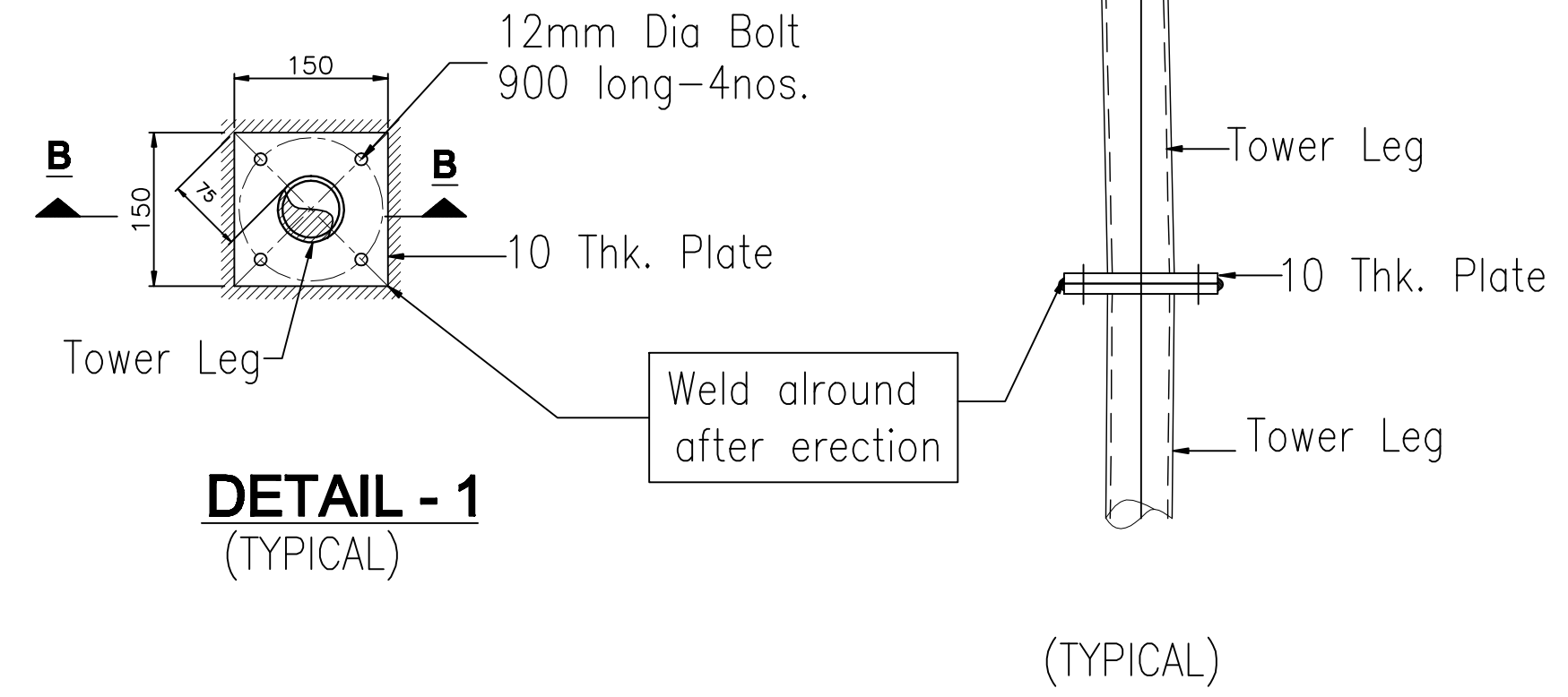
**TOWER ELEVATION**



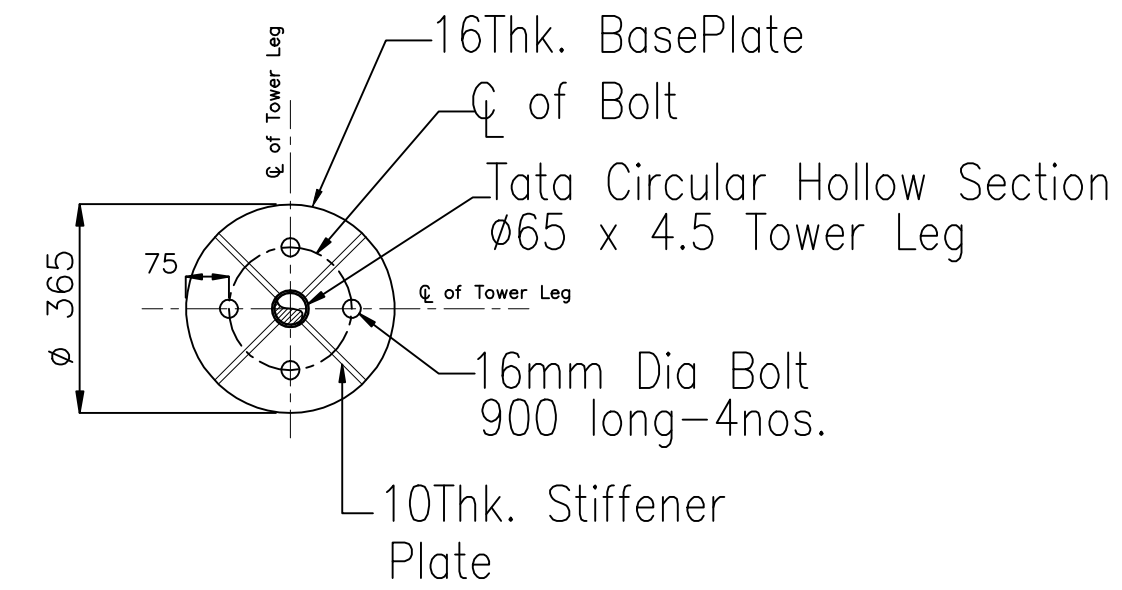
**SECTION A-A**



**PLAN OF FOOTING**



**DETAIL - 1 (TYPICAL)**



**DETAIL - 2 (TYPICAL)**

**NOTES:**

1. ALL DIMENSIONS TO BE CHECKED AT SITE
2. ALL DIMENSIONS SHALL BE CHECKED WITH RELEVANT ARCHITECTURAL DRAWING AND NOT TO BE SCALED FROM THIS DRAWING. ANY DISCREPANCIES SHALL BE BROUGHT TO OUR NOTICE BEFORE EXECUTION OF WORK AT SITE.
3. CONCRETE GRADE SHOULD BE M25 UNLESS OTHERWISE SPECIFIED.
4. CLEAR COVER FOR REINFORCEMENT IN COLUMN - 40MM.
5. LAP LENGTH FOR REINFORCEMENT BARS 50d
6. ALL REINFORCEMENT SHALL BE HYSD BARS OF Fe 415 GRADE EXCEPT 6MM BARS. SPECIFICATION FOR STEEL SHALL CONFIRM TO LATEST IS 1786 REBAR FABRICATION AT SITE CONFIRM TO IS 13920.
7. FOUNDATION IS DESIGNED AS PER SOIL REPORT FROM NAGADI CONSULTANTS PVT. LTD. DOC NO. G (C) 8930.

S.NO	Revision	DATE	CHK
------	----------	------	-----

CLIENT :  
**U.S. CONSULATE, CHENNAI.**

DRAWING TITLE:  
**DETAILS OF TOWER**

DATE	: 24 - 03 - 2017
DRAWN	: PS
CHECKED	:
SCALE	:
DRAWING NO	:
SYS & FILE NAME	:

OUR SERVICE ENDS WITH ISSUING STRUCTURAL DRAWINGS ONLY. WE ARE NOT RESPONSIBLE FOR SITE SUPERVISION, SAFETY IN CONSTRUCTION, QUALITY OF MATERIALS AND REBAR FABRICATION AT SITE.  
**STRUCTURAL ENGINEER**

**B.S MURALIDHARA.**  
#827, DHUN BUILDING,  
NORTH WING, 2ND FLOOR  
MOUNT ROAD, CHENNAI.

ALL PCC WORKS M10 GRADE.  
ALL RCC WORKS M25 GRADE.

TUBES SHALL BE TATA STRUCTURAL HOLLOW SECTIONS OF YST 310 GRADE

PLATES MILD STEEL YST 250 GRADE

VENDOR SHALL SUBMIT SHOP DRAWING BEFORE FABRICATION FOR APPROVAL